

TOLKA Conditional Access System

Tolka Conditional Access System (CAS) offers pay-TV businesses high security protection for real time and offline program and content. With Tolka CAS, broadcasters and TV operators are provided the ability to expand their services, offer more convenient payment methods, and given greater control over content ownership. Broadcasters and TV operators can easily integrate the Tolka CAS into existing infrastructure to service IP, terrestrial, cable, satellite, mobile, and hybrid networks without interrupting subscriber services while protecting their digital collection.

Tolka CAS offers the most flexibility to DTH operators by providing two levels of security and convenience. The Grand Tolka CAS can be configured as a standalone traditional CAS employing secure chip technology plus full headend support to prevent piracy through to the STB. This configuration can be deployed as a primary CAS or used in simul-crypt applications. The Petite Tolka CAS is a software application and can be configured to operate as a secure bridge to provide content security between the STB and smart devices which are allowed access within a home network environment.

Tolka CAS regularly updates and evolves to stay up to date against evolving security threats. Both versions of the revolutionary Tolka CAS offers broadcasters and TV operators the highest level of control over their content by integrating with Tolka's watermarking technology, guaranteeing content security even during viewing of pre-recorded or offline programs. Tolka CAS can operate in conjunction with multi-room and multi-screen environments, sending encrypted content to multiple devices within a home network and deliver the content to multiple network services. For mobile or tablet devices, Tolka CAS acts through a central subscription in the home to monitor content viewing from multiple devices.

System Benefits

- Provides operators control over the system.
- Integrates with Tolka's Watermarking content tracking solution for unparalleled content protection.
- Integrates with Tolka's solution and/or third party CAS to allow protected redistribution of content within a home network environment.
- Price affordability.

System Functions

- Provides operators control over the system.
- Supports DVB SIMU/Crypt, IPTV (Multicast) & OTT TV (adaptive streaming).
- Supports Multiroom/Multiscreen applications
- Supports local PVR and extended PVR.
- Scrambling by channel, product and IPPTV.
- Trigger & Message Text.
- Integrates with Tolka's Watermarking content tracking solution.
- ECM & EMM generator.
- DVB CAS client on STB.
- CAS Server Scalable.
- Support CAS server redundancy.

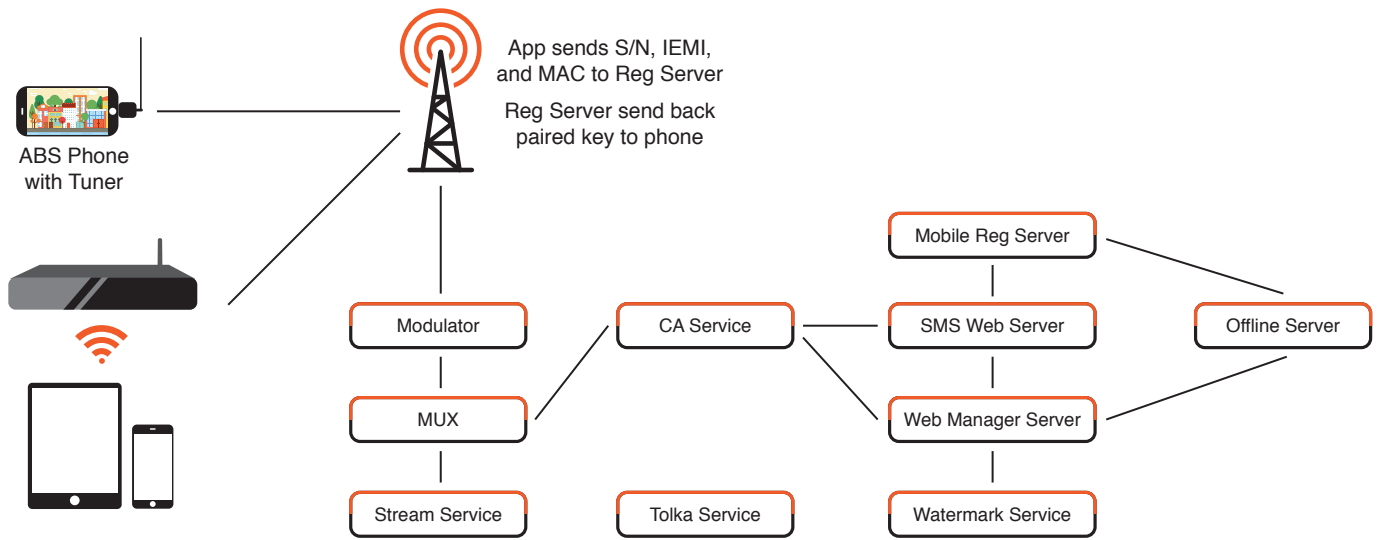
System Features

- Code obfuscation and Code tamper-proof.
- Symmetrical/Asymmetric encryption algorithm.
- Embedded Encryption Server.
- Software based smartcard.
- SOC pairing with smartcard.
- Mac address and STB serial number pairing with smartcard.
- Secure authorization for multiple remote (wireless) devices within a home.

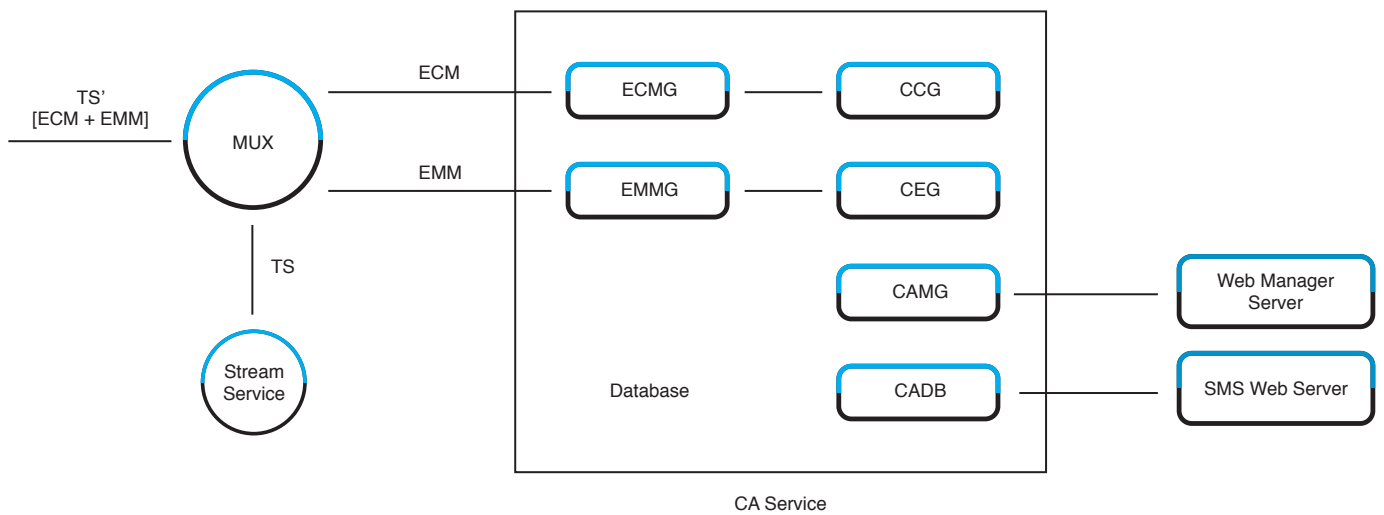
SOC Requirements

- Support Secure Boot Loader.
- 2048 Bit Root RSA Key.
- Boot from OTP.
- Support Unique Device ID.
- JTAG Lock and unlock password.
- Mem Bus obscured.
- CW encryption.
- Soc partner: Mstar, ST and Ali.

Offline Security



Online Security



ADTH

For over 20 years, Atlanta DTH, Inc. has been a leading supplier of Cable and Satellite DTH communications equipment and an innovator of ground-breaking telecommunication systems for IPTV, OTT, DTT and other media related applications. Our solutions provide the tools for content broadcasters to expand their service offerings to existing and new customers allowing them to expand and develop their markets. We strive to meet the technological goals of our customers; be it in the broadcast, telecommunications or IPTV markets. Partnered with TOLKA, a revolutionary solution provider to the media industry; ADTH offers a combination of traditional media broadcasting and modern social networking solutions, where media content can be shared under the control, and be fully traceable, by the media content provider or the system operator; creating new business opportunities that are developed and expanded from the users behavior and relationships.